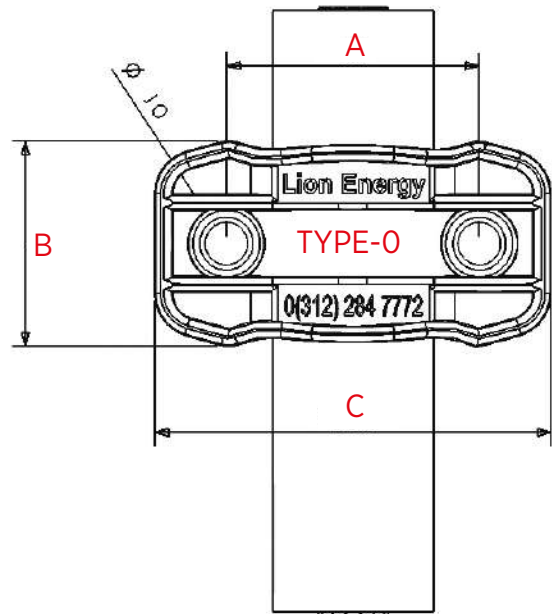
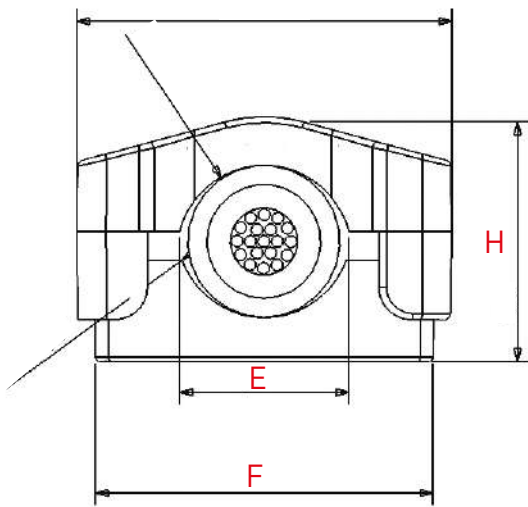


Description :

TYPE-0 CABLE CLAMP - POLYAMIDE

- 1 KV NYY CABLES CLAMP
- Min.Diameter : 20mm - Max.Diameter: 26mm
- Price includes bolts and nuts.



Product Description	WIDTH (mm) B	TOP COVER LENGTH (mm) C	HEIGHT (mm) H	BOTTOM COVER LENGTH (mm) F	TIGHTENING DIAMETER (mm) E
TYPE -0 ANTISTATIC CABLE CLAMP - POLYAMIDE	22,5	51	32	46	20-26
TYPE -0 ANTISTATIC CABLE CLAMP - HALOGEN FREE	22,5	51	32	46	20-26

