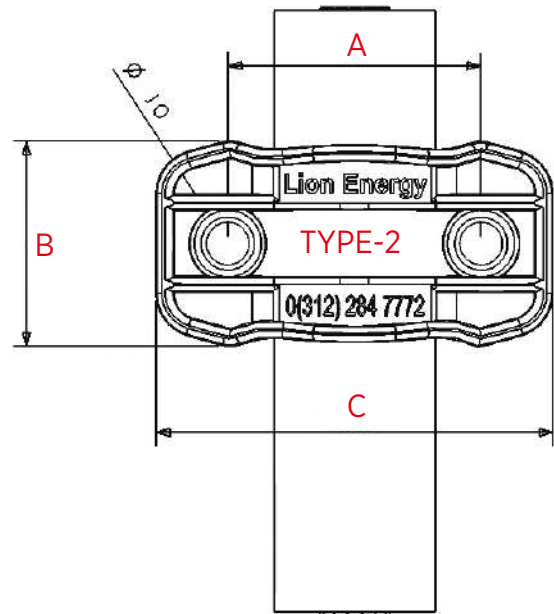
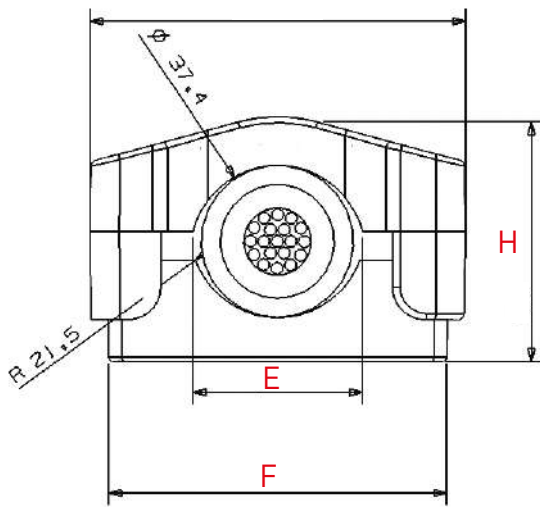


Description :

TYPE -2 CABLE CLAMP - POLYAMIDE

- 1-36KV NYY - XLPE CABLES CLAMP
- Min.Diameter : 38mm - Max.Diameter: 53mm
- Price includes bolts and nuts.



Product Description	WIDTH (mm) B	TOP COVER LENGTH (mm) C	HEIGHT (mm) H	BOTTOM COVER LENGTH (mm) F	TIGHTENING DIAMETER (mm) E
TYPE -2 ANTISTATIC CABLE CLAMP - POLYAMIDE	55,8	108,8	69,5	99,2	38-53
TYPE -2 ANTISTATIC CABLE CLAMP - HALOGEN FREE	55,8	108,8	69,5	99,2	38-53

