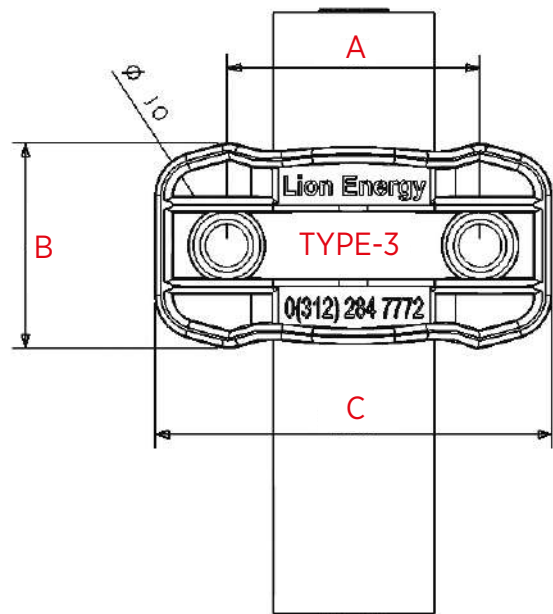
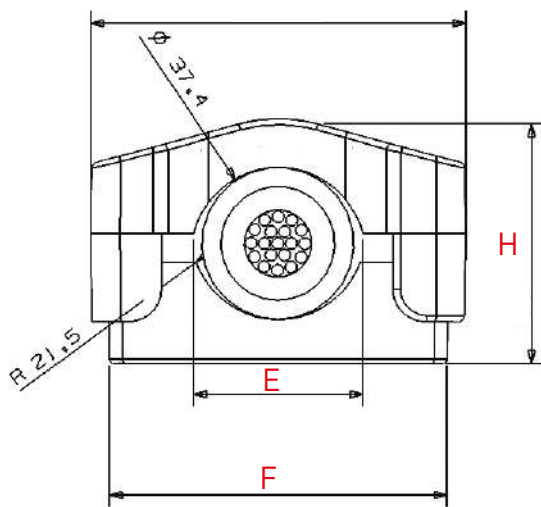


Description :

TYPE -3 CABLE CLAMP - POLYAMIDE

- 1-154KV NYY - XLPE CABLES CLAMP
- Min.Diameter : 52mm - Max.Diameter: 75mm
- Price includes bolts and nuts.



| Product Description | WIDTH (mm) B | TOP COVER LENGTH (mm) C | HEIGHT (mm) H | BOTTOM COVER LENGTH (mm) F | TIGHTENING DIAMETER (mm) E |
|---|-----------------|----------------------------|------------------|-------------------------------|-------------------------------|
| TYPE -3 ANTISTATIC CABLE CLAMP - POLYAMIDE | 63,7 | 140,1 | 99,2 | 120,3 | 52-78 |
| TYPE -3 ANTISTATIC CABLE CLAMP - HALOGEN FREE | 63,7 | 140,1 | 99,2 | 120,3 | 52-78 |

