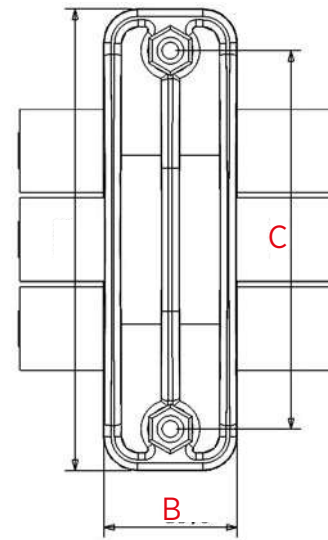
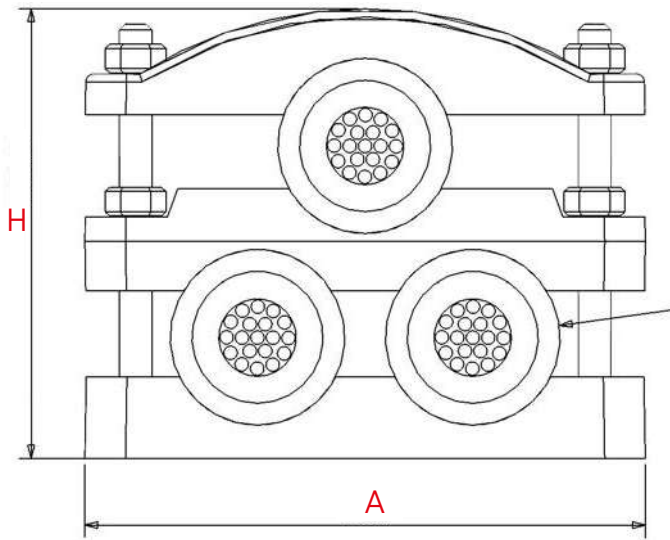


**Description :**

**TYPE -3 TREFOIL XLPE CABLE CLAMP -POLYAMIDE HF/UV**

- 1-154KV NYY - XLPE CABLES CLAMP
- Min.Diameter : 52mm - Max.Diameter: 78mm
- Price includes bolts and nuts.



Product Description	LENGTH (mm) A	WIDTH (mm) B	BOLT CENTERS C	HEIGHT (mm) H	TIGHTENING DIAMETER (mm) (For each slot) E
TYPE -3 TREFOIL /STANDARD ANTI STATIC CABLE CLAMP	205,3	54,8	170,4	135,3	52-78
TYPE -3 TREFOIL /HALOGEN FREE ANTI STATIC CABLE CLAMP	205,3	54,8	170,4	135,3	52-78

